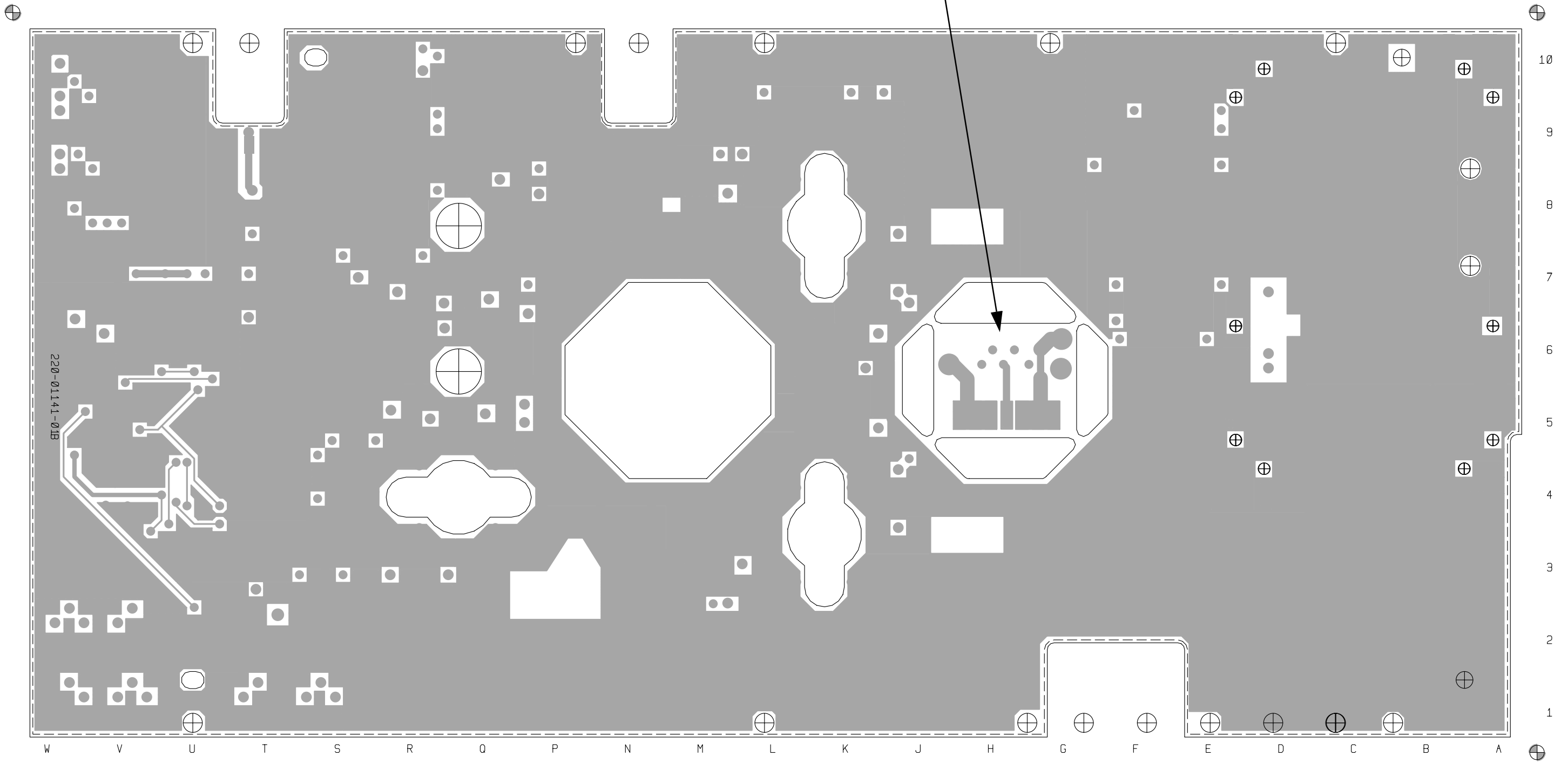
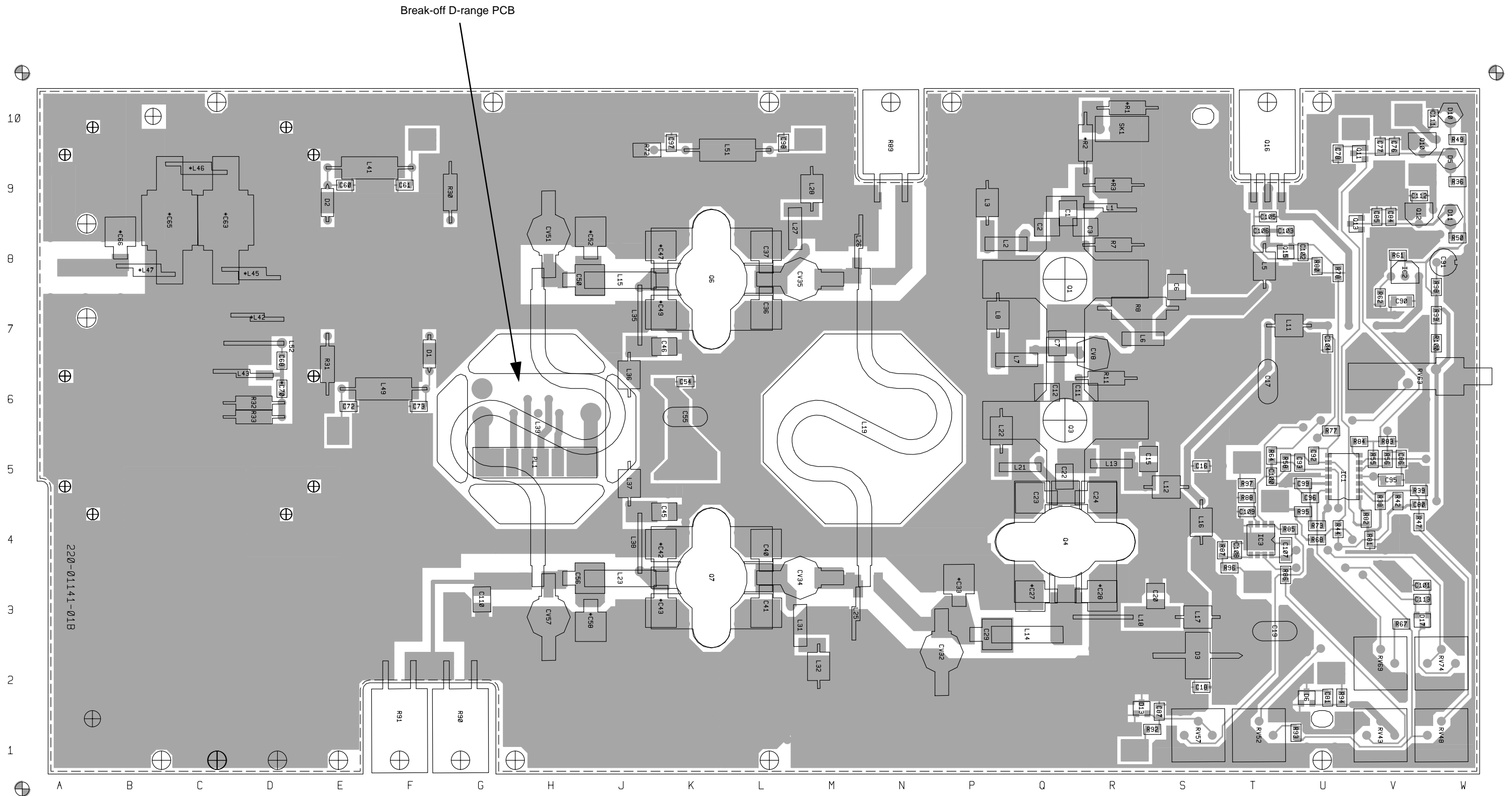
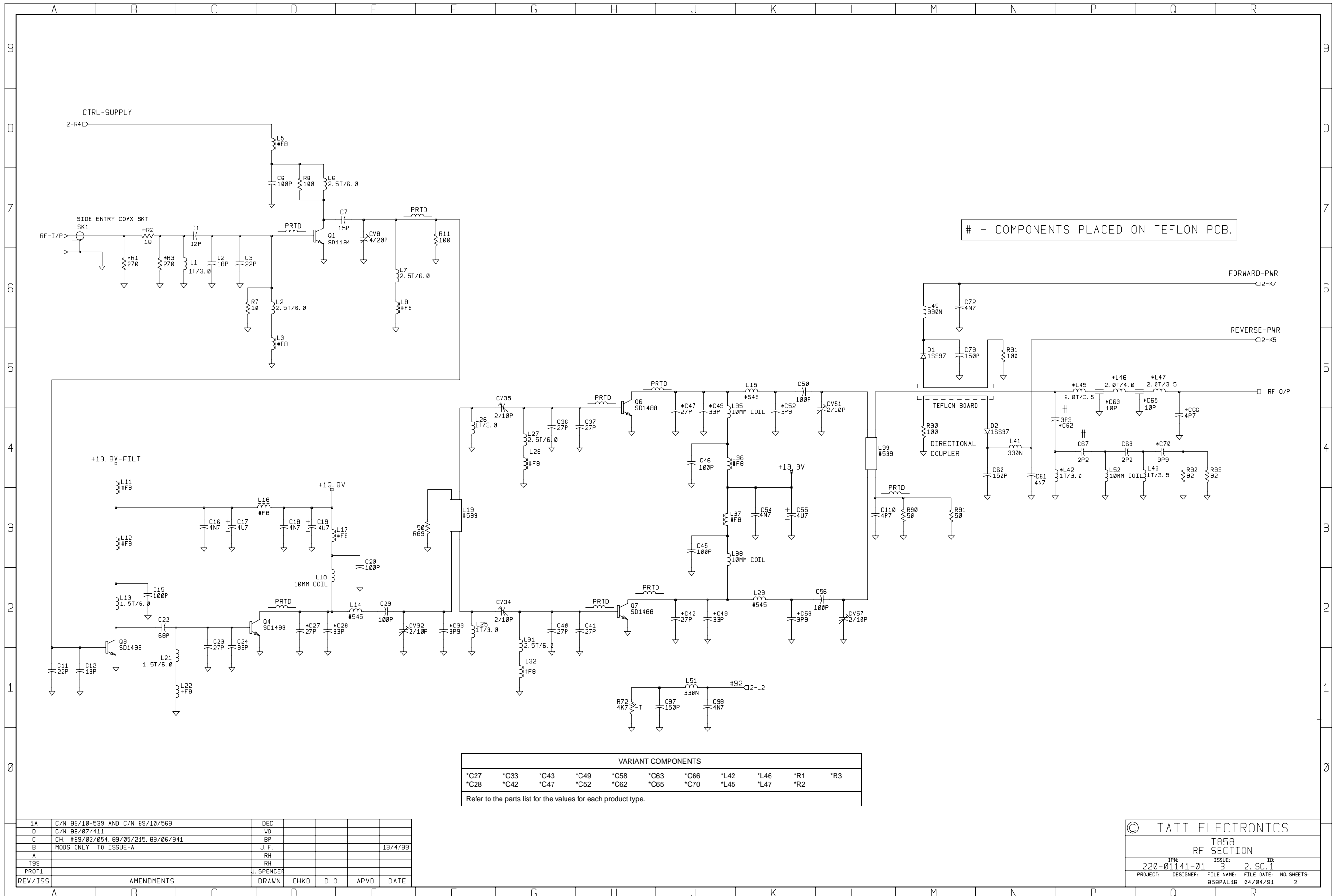


Break-off D-range PCB





T858 PCB Layout - Top Side  
220-01141-01



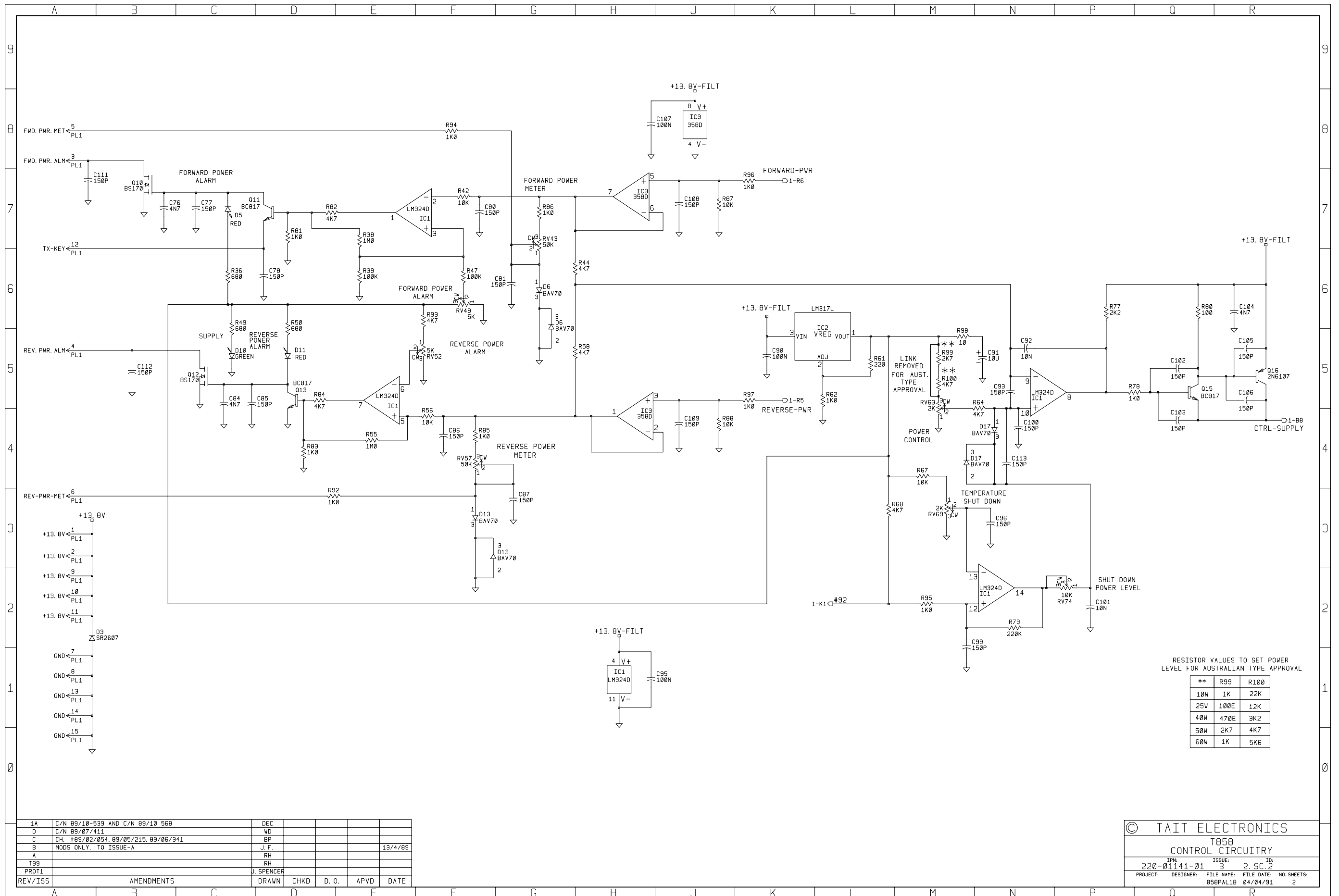
# - COMPONENTS PLACED ON TEFLON PCB.

VARIANT COMPONENTS											
*C27	*C33	*C43	*C49	*C58	*C63	*C66	*L42	*L46	*R1	*R3	
*C28	*C42	*C47	*C52	*C62	*C65	*C70	*L45	*L47	*R2		

Refer to the parts list for the values for each product type.

1A	C/N 89/10-539 AND C/N 89/10/568	DEC			
D	C/N 89/07/411	WD			
C	CH. #89/02/054, 89/05/215, 89/06/341	BP			
B	MODS ONLY. TO ISSUE-A	J. F.			13/4/89
A		RH			
T99		J. SPENCER			
PROT1		DRAWN	CHKD	D. O.	APVD
REV/ISS	AMENDMENTS				DATE

© TAIT ELECTRONICS			
T858 RF SECTION			
IPN:	ISSUE:	ID:	
220-01141-01	B	2	SC.1
PROJECT:	DESIGNER:	FILE NAME:	FILE DATE:
		858PAL1B	04/04/91
			NO. SHEETS: 2



RESISTOR VALUES TO SET POWER LEVEL FOR AUSTRALIAN TYPE APPROVAL

**	R99	R100
10W	1K	22K
25W	100E	12K
40W	470E	3K2
50W	2K7	4K7
60W	1K	5K6

1A	C/N 89/10-539 AND C/N 89/10 560	DEC			
D	C/N 89/07/411	WD			
C	CH. #89/02/054, 89/05/215, 89/06/341	BP			
B	MODS ONLY. TO ISSUE-A	J.F.			13/4/89
A		RH			
T99		RH			
PROT1		J. SPENCER			
REV/ISS	AMENDMENTS	DRAWN	CHKD	D. O.	APVD DATE

© TAIT ELECTRONICS  
T858  
CONTROL CIRCUITRY  
IPN: 220-01141-01 ISSUE: B 2. SC. 2  
PROJECT: DESIGNER: FILE NAME: FILE DATE: NO. SHEETS:  
858PAL18 04/04/91 2